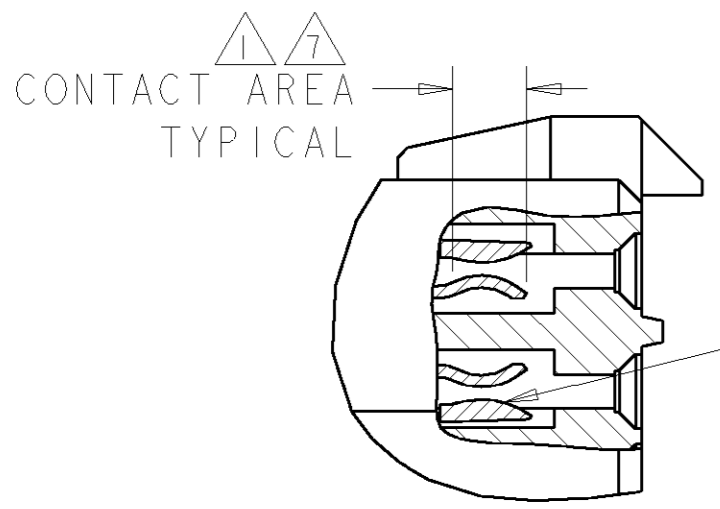


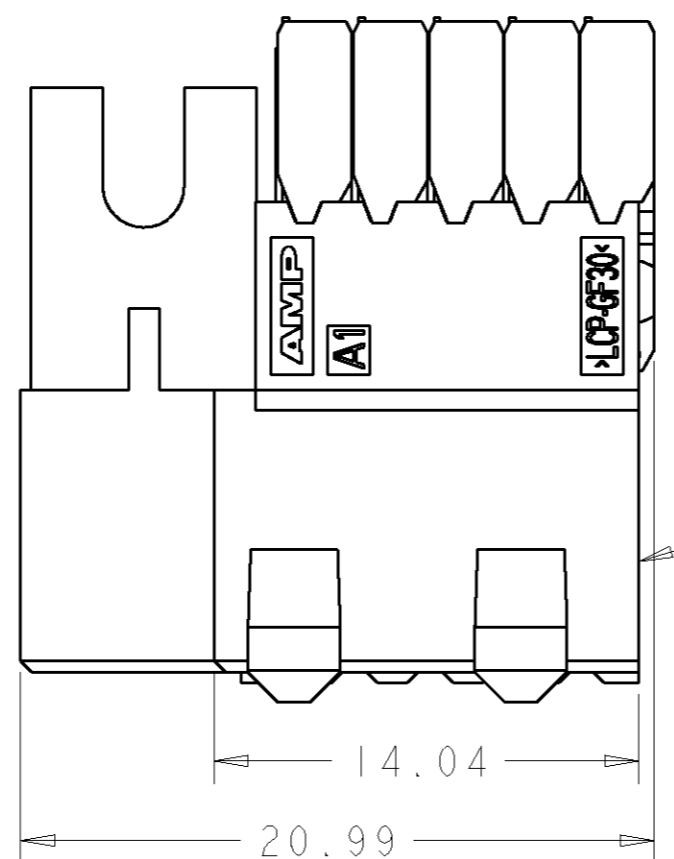
THIS DRAWING IS UNPUBLISHED. RELEASED FOR PUBLICATION 20
 © COPYRIGHT 20 BY TYCO ELECTRONICS CORPORATION. ALL RIGHTS RESERVED.

LOC	DIST	REVISIONS					
AD	00	P	LTR	DESCRIPTION	DATE	DWN	APVD
		E		REV PER EC 0S12-0236-04	14SEP2004	BC	RP
		EI		REV PER ECO-06-024579	22JAN2007	JRP	RAP



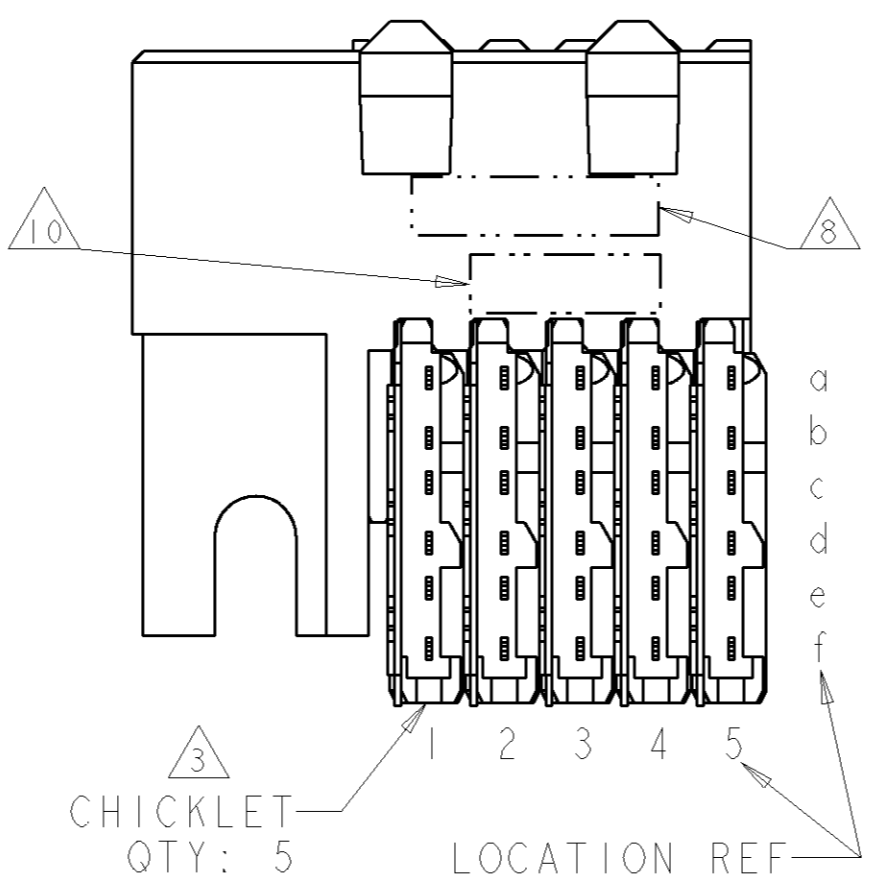
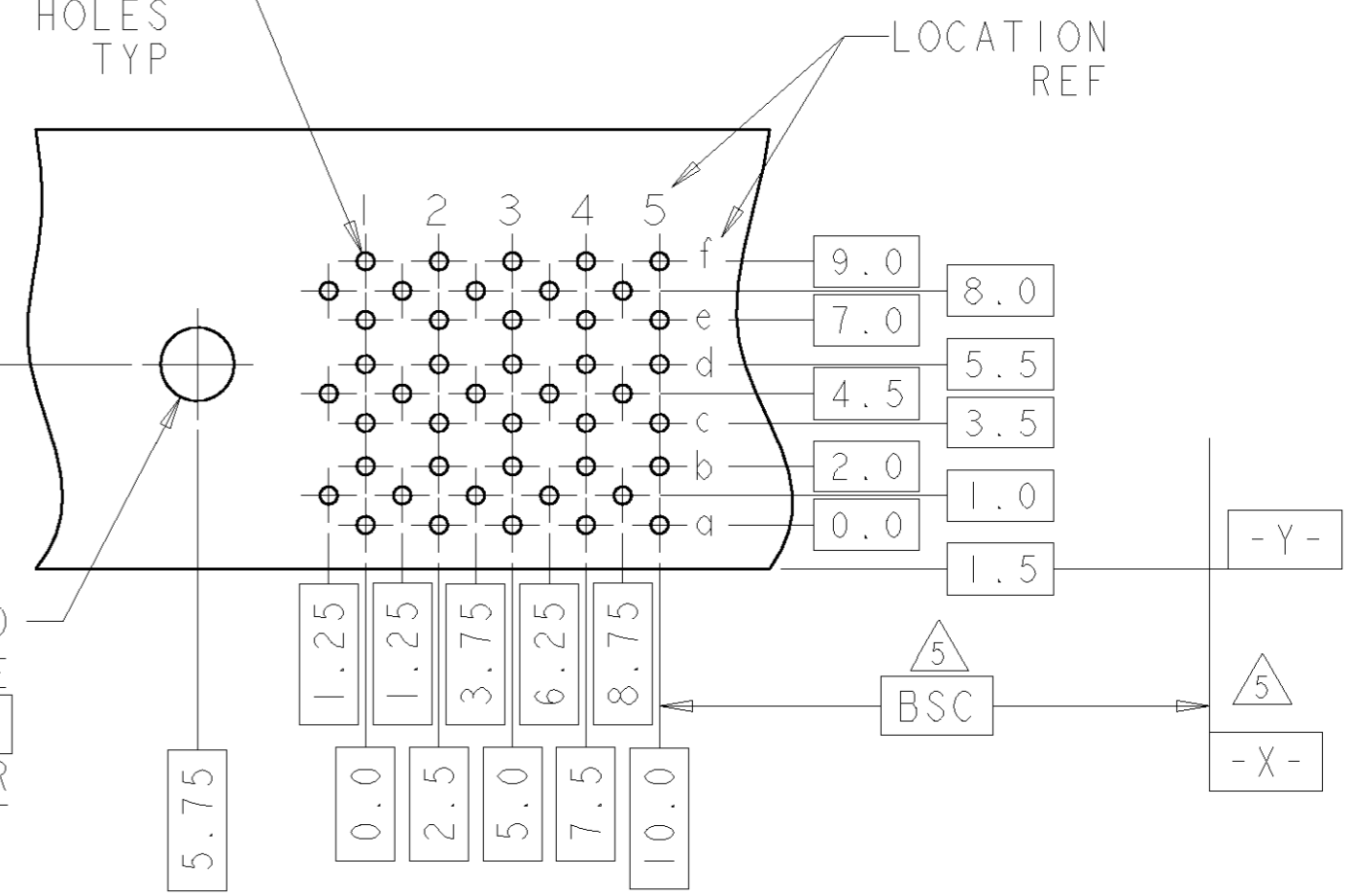
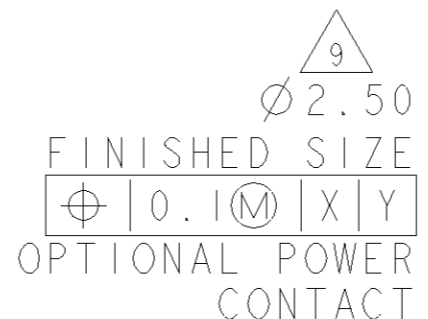
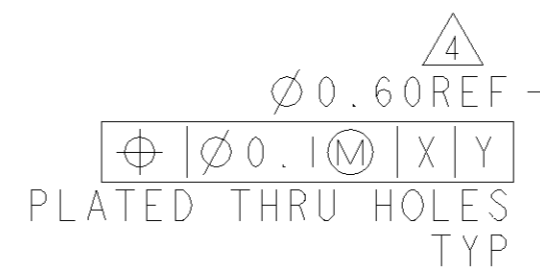
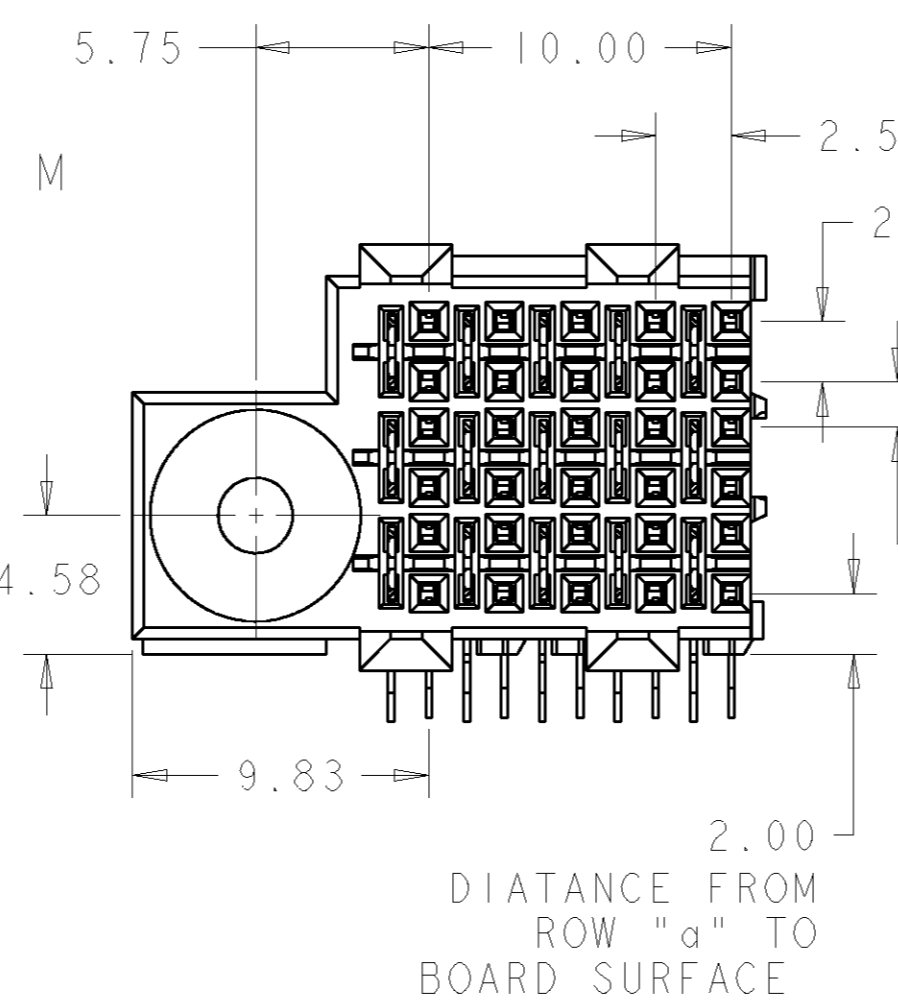
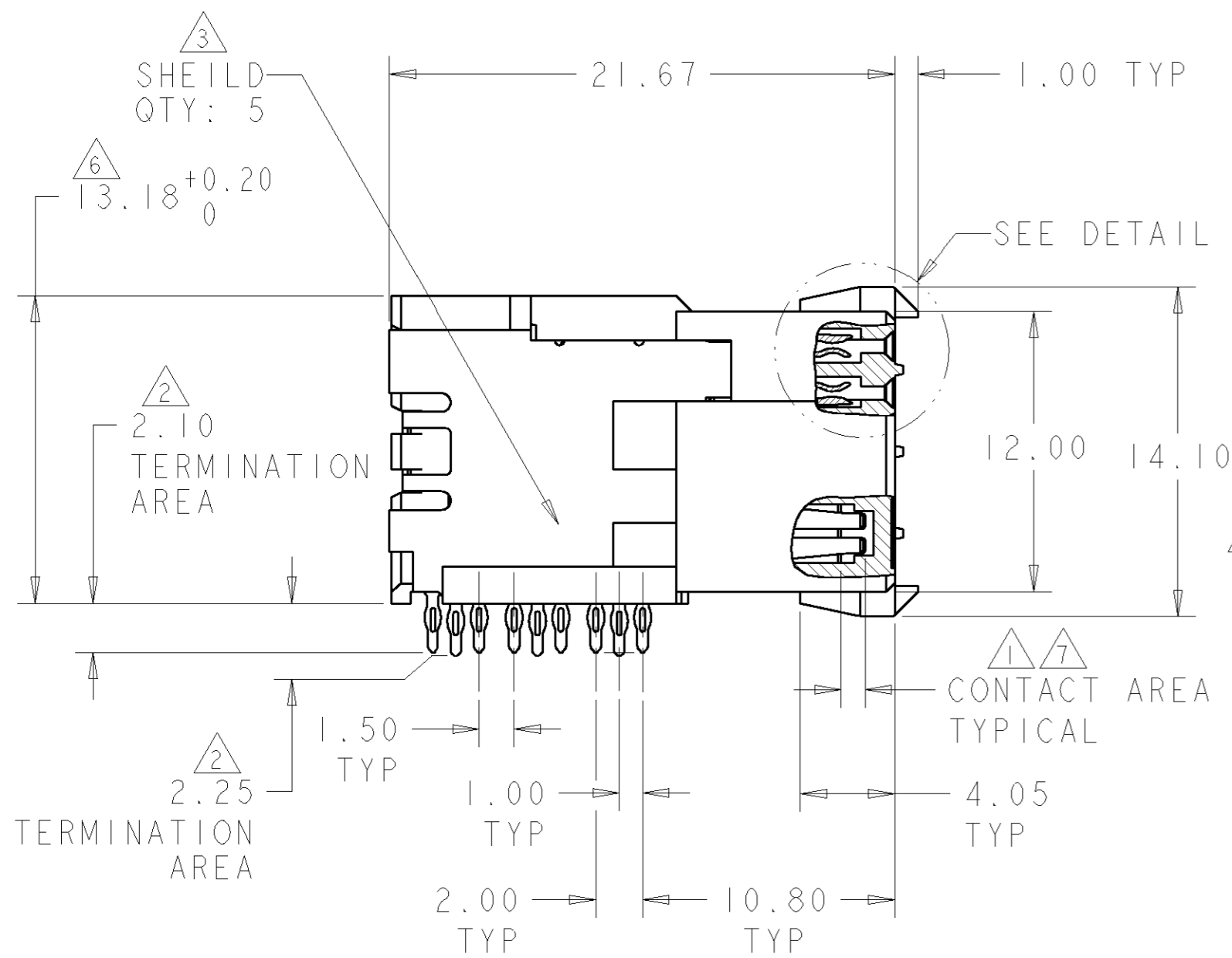
CONTACT QTY: 30

DETAIL M
SCALE 8:1



HOUSING QTY: 1

- 1 0.76µm MIN GOLD OVER 1.27µm MIN NICKEL OR GOLD FLASH OVER 0.76µm MIN PALLADIUM-NICKEL OVER 1.27µm MIN NICKEL
- 2 0.76µm MIN TIN-LEAD OVER 1.27µm MIN NICKEL
- 3 MATERIAL:
CONTACT - COPPER ALLOY
SHIELD - PHOSPHOR BRONZE
HOUSING - LCP, UL94V-0
CHICKLET - GLASS FILLED POLYESTER
- 4 REFERENCE APPLICATION SPEC 114-13020 FOR RECOMMENDED THRU HOLE DIAMETER AND PLATING THICKNESSES
- 5 DATUM AND BASIC DIMENSION ESTABLISHED BY CUSTOMER.
- 6 SEATING HEIGHT TO BOARD SURFACE.
- 7 CONTACT AREA LUBRICATED WITH BELLCORE APPROVED LUBRICANT. TECHNICAL REFERENCE: GR-1217-CORE, ISSUE 1, NOVEMBER 1995.
- 8 DATE CODE
- 9 OPTIONAL POWER CONTACT PN 535875-X
- 10 PART NUMBER



RECOMMENDED PRINTED
CIRCUIT BOARD LAYOUT
COMPONENT SIDE OF PRINTED CIRCUIT BOARD

120789-1
PART NUMBER

THIS DRAWING IS A CONTROLLED DOCUMENT FOR TYCO ELECTRONICS CORPORATION. IT IS SUBJECT TO CHANGE AND THE CONTROLLING ENGINEERING ORGANIZATION SHOULD BE CONTACTED FOR THE LATEST REVISION.		DWN	JCB	18JAN00		AMP Incorporated Harrisburg, PA 17105-3608		
DIMENSIONS: mm		CHK	MDL	17JUL00		NAME RECEPTACLE ASSEMBLY, 30 POSITION LEFT HAND, 6 ROW, DUAL BEAM, Z-PACK HS3		
TOLERANCES UNLESS OTHERWISE SPECIFIED: 0 PLC ± 1 PLC ± 2 PLC ±0.13 3 PLC ±0.050 4 PLC ± ANGLES ±		PRODUCT SPEC	108-1957		SIZE	CAGE CODE	DRAWING NO	RESTRICTED TO
MATERIAL		APPLICATION SPEC	114-13020		A2	00779	120789	-
FINISH SOLDER TAIL: 2 CONTACT: 1		WEIGHT	-		SCALE	SHEET	OF	REV
		CUSTOMER DRAWING			4.1	1	1	E1